


# K2 SERIES 2-3.5t

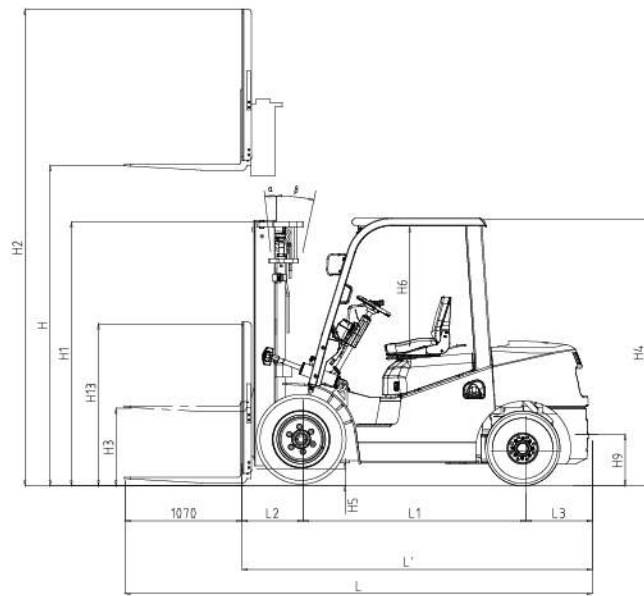
## Manufacturer and technical parameters

Characteristics									
Model		CPC20	CPCD20	CPC25	CPCD25	CPC30	CPCD30	CPC35	CPCD35
1.01 Manufacturer									
1.02 Model		CPC20	CPCD20	CPC25	CPCD25	CPC30	CPCD30	CPC35	CPCD35
1.03 Rated capacity	kg	2000		2500		3000		3500	
1.04 Load center	mm	500		500		500		500	
1.05 Driving mode		Diesel							
1.06 Power type		Sit-on-type							

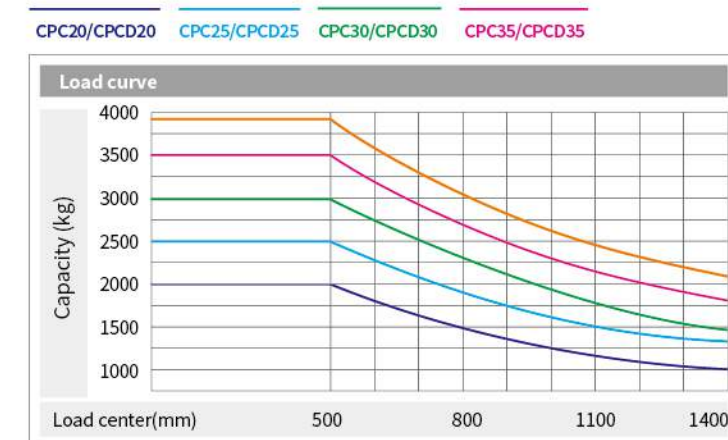
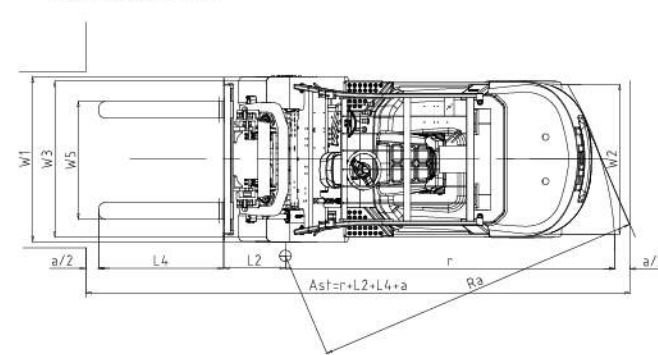
Dimensions									
2.01 Lifting height (standard)	H	mm	3000	3000	3000	3000	3000	3000	3000
2.02 Mast overall height(fork to the ground and mast be vertical)	H1	mm	2000	2000	2070	2120	2140	2140	2140
2.03 Max.fork lifting height(With backrest)	H2	mm	4030	4030	4217	4217	4217	4217	4217
2.04 Free lift height	H3	mm	150	150	155	160	160	160	160
2.05 Overall height(Overhead guard)	H4	mm	2120	2120	2140	2140	2140	2140	2140
2.06 Min.ground clearance(At the mast)	H5	mm	115	115	135	135	135	135	135
2.07 Distance from the surface of the seat to the overhead guard	H6	mm	1050	1050	1050	1050	1050	1050	1050
2.08 Traction pin height	H8	mm	290	290	310	310	310	310	310
2.09 Backrest height(Calculated from the surface of the fork)	H13	mm	1000	1000	1182	1177	1177	1177	1177
2.10 Overall length(With fork/Without fork)	(L1)	mm	3460/2540	3680/2610	3814/2744	3820/2750	3820/2750	3820/2750	3820/2750
2.11 Wheel base	L1	mm	1650	1650	1750	1750	1750	1750	1750
2.12 Front overhang	L2	mm	465	465	478	484	484	484	484
2.13 Rear overhang	L3	mm	425	495	520	520	520	520	520
2.14 Overall width	W1	mm	1160	1160	1225	1225	1225	1225	1225
2.15 Tread (Front tread/Rear tread)	(W3/W2)	mm	970/970	1000/970	1000/970	1000/970	1000/970	1000/970	1000/970
2.16 Fork adjustable range(the external of the fork)(Max./Min.)	W5	mm	1030/244	1030/244	1060/250	1060/250	1060/250	1060/250	1060/250
2.17 Min.turning radius(Exterior)	r	mm	2215	2270	2400	2400	2400	2400	2400
2.18 Min.turning radius(Interior)	r'	mm	35	35	80	80	80	80	80
2.19 Min.right angle stacking aisle width	Ra	mm	2235	2290	2360	2360	2360	2360	2360
2.20 Mast tilting angle (forward /rear)	αβ	deg.	6°/12°	6°/12°	6°/12°	6°/12°	6°/12°	6°/12°	6°/12°
2.21 Fork size	L4xWxT	mm	920x122x40	1070x122x40	1070x125x45	1070x125x50	1070x125x50	1070x125x50	1070x125x50

Weight									
3.01 Total weight	kg	3300	3650	4270	4600	4600	4600	4600	4600
3.02 Weight distribution loaded (Front/Rear)	kg	4710/590	5440/710	6430/840	7280/820	7280/820	7280/820	7280/820	7280/820
3.03 Weight distribution unloaded (Front/Rear)	kg	1540/1760	1470/2180	1750/2520	1790/2810	1790/2810	1790/2810	1790/2810	1790/2810

Wheel and tyre									
4.01 Wheel number x= drive wheel (Front/Rear)		2X/2							
4.02 Tyre type(Front/Rear)		Pneumatic tyre							
4.03 Tyre size(Front/Rear)		7.00-12-12PR/6.00-9-10PR		28-9-15-14PR/6.5-10-10PR		28-9-15-14PR/6.5-10-10PR		28-9-15-14PR/6.5-10-10PR	
4.04 Service brake		Hydraulic-foot Pedal							
4.05 Parking brake		Mechanical-Hand lever							



RASA: Right angle stacking aisle width  
a: Clearance  
L4: Length of fork



**Note:** The vertical axis stands for load capacity and the horizontal axis stands for load center which is calculated from the front of the fork. The base point of the standard load refers to the center position of the cube with 1000mm length of side. When mast is tilted forward, nonstandard fork usage or load with over wide goods, load capacity will be reduced. Different load capacity in different load center can be known in time through load chart.

## Truck main specifications and drive and transmission control device

Performance																							
Model		CPC20	CPCD20	CPC25	CPCD25	CPC30	CPCD30	CPC35	CPCD35	CPC20	CPCD20	CPC25	CPCD25	CPC30	CPCD30	CPC20	CPCD20	CPC25	CPCD25	CPC30	CPCD30	CPC35	CPCD35
Max. Travelling speed (loaded/unloaded)	km/h	18/18		18/18		19/19		19/19		18/19		18/19		19/20		18/19		18/19		18/19		18/19	
Lifting Speed (Loaded/Unloaded)	mm/s	500/550		500/550		475/495		400/420		500/550		500/550		455/480		455/480		400/420		455/480		400/420	
Lowing Speed (Loaded/Unloaded)	mm/s	450/500		450/500		450/500		450/500		450/500		450/500		450/500		450/500		450/500		450/500		450/500	
Max.drawbar pull (Loaded/Unloaded)	kN	17/12	17/12	18/12.5	18/12.5	19/15	19/16	19/14	19/16	16.2/12.5	16.2/12.5	19.3/11.7	19.3/11.7	19.5/16	19.5/16	16.5/14	16.5/14	19.5/12	19.5/12	20/17	20/17	21.5/14	21.5/14
Max.Gradeability (Loaded/Unloaded)	%	27/29	27/37	25/23	31/23	22/23	22/26	20/22	20/25	18/29	26/32	15/27	26/27	13/22	19/24	18/29	27/32	16/28	26/28	15/23	20/24	15/23	22/24

Drive and transmission control device																							
Battery(Voltage/Capacity)	V/Ah	12/80										12/80											
Engine manufacturer /mode		QUANCHAI 4C2-50C41										ISUZU C240										Mitsubishi S4S	
Rated power/Speed	kW/rpm	36.8/2500										35.4/2500										35.3/2250	
Max. torque/Speed	Nm/rpm	170/1400-2000										139.9/1800										177/1700	
Cylinder number-Bore x Stroke/Displacement	/L	4-90x105/2.67										4-86x102/2.369										4-94x120/3.331	
Engine fuel tank capacity	L	70										70										70	
Emission		China Stage III										China Stage III / Euro Stage IIIA										China Stage III / Euro Stage IIIA	
Transmission box shifting gears		1-1 Power Shift T/M / 2-2 Manual Shift T/M																					

## Engine Model and Main Specification for Option

Engine model	Truck model	Rated power/ Speed (Kw/rpm)	Max. torque/ Speed (Nm/rpm)	Engine displacement (L)	Cylinder number - BorexStroke	Emission
QUANCHAI QC490	CPC20-35-Q22K2 CPCD20-35-Q22K2	39/2650	157/1800	2.67	4-90x105	China Stage II
XINCHANG C490BPG-200	CPC20-35-XC5K2 CPCD20-35-XC5K2	40/2650	160/1800-2000	2.67	4-90x105	China Stage II
XINCHANG A498BT1-39B	CPC20-35-XC22K2 CPCD20-35-XC22K2	36.8/2400	186/1600-1800	3.17	4-98x105	Euro Stage IIIA
GCT K21	CPQ(D)20-30-RCK2 CPY(D)20-30-RCK2	31.2/2200	143.7/1600	2.065	4-89x83	-
GCT K25	CPQ(D)25-35-RC1K2 CPY(D)25-35-RC1K2	37.4/2400	176.5/1600	2.488	4-89x100	-
ISUZU C240	CPC20-30-WS1K2 CPCD20-30-WS1K2	35.4/2500	139.9/1800	2.369	4-86x102	China Stage III / Euro Stage IIIA
QUANCHAI 4C2-50C41	CPC20-35-Q13K2 CPCD20-35-Q13K2	36.8/2500	170/1400-2000	2.67	4-90x105	China Stage III
Mitsubishi S4S	CPC20-35-M1K2 CPCD20-35-M1K2	35.3/2250	177/1700	3.331	4-94x120	China Stage III / Euro Stage IIIA

## WIDE VIEW MAST

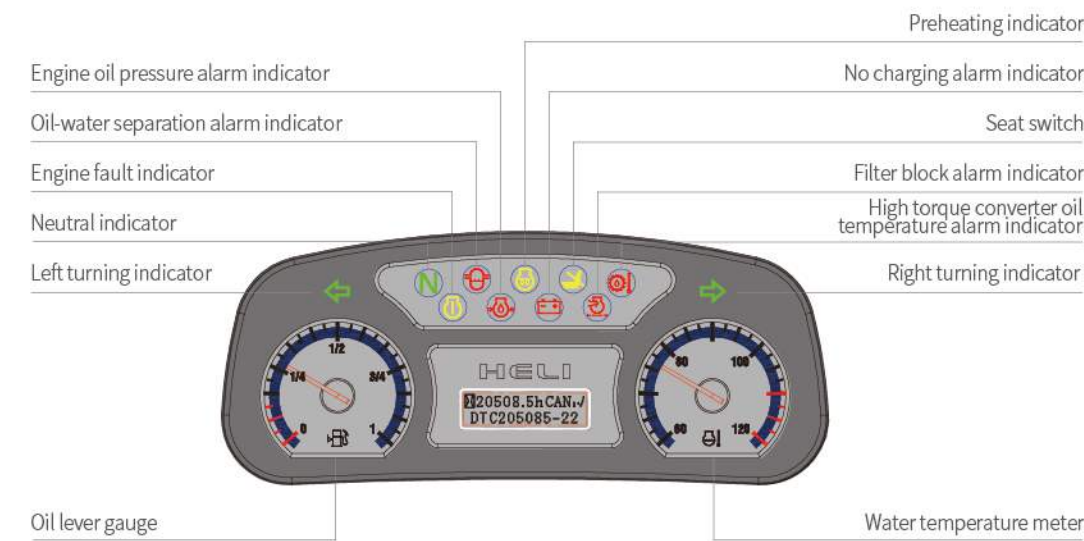
Mast model	Max. lifting height (mm)	Load capacity (load center 500mm) (kg)				Mast overall height (fork to the ground) (mm)			Service weight (kg)				Mast tilting angle (°α/β)
		2t	2.5t	3t	3.5t	2-2.5t	3t	3.5t	2t	2.5t	3t	3.5t	
M200	2000	2000	2500	3000	3500	1500	1570	1620	3210	3560	4170	4490	6/12
M250	2500	2000	2500	3000	3500	1750	1820	1870	3260	3600	4220	4550	6/12
M300	3000	2000	2500	3000	3500	2000	2070	2120	3300	3650	4270	4600	6/12
M330	3300	2000	2500	3000	3500	2150	2220	2270	3330	3670	4290	4630	6/12
M350	3500	2000	2500	3000	3500	2250	2320	2370	3350	3690	4310	4650	6/12
M370	3700	2000	2500	3000	3500	2350	2420	2470	3360	3710	4330	4670	6/12
M400	4000	1950	2350	2850	3200	2550	2620	2670	3440	3790	4410	4760	6/12
M425	4250	1900	2200	2750	3100	2675	2745	2795	3460	3810	4440	4780	6/12
M450	4500	1700	1950	2650	2950	2800	2870	2920	3490	3830	4460	4810	6/12
M500	5000	1500	1700	2400	2450	3050	3120	3170	3530	3880	4510	4860	6/12
M550	5500	*1700	*2200	*2400	*2850	3350	3420	3470	3630	3970	4610	4970	6/6
M600	6000	*1500	*1800	*2200	*2300	3600	3670	3720	3670	4020	4650	5020	*6/6

Note: (1) \*stands for the rated capacity when the front tyre is double-tyre. (2) When the front tyre of the 2-3.5t truck is double tyre, the service weight of the truck is the weight in the table plus 110kg.

## WIDE VIEW FULL FREE 2-STAGE MAST

Mast model	Max. lifting height (mm)	Load capacity (load center 500mm) (kg)				Mast overall height (fork to the ground) (mm)			Free lifting height (with backrest)(mm)			Service weight (kg)				Mast tilting angle (°α/β)
		2t	2.5t	3t	3.5t	2-2.5t	3t	3.5t	2-2.5t	3t	3.5t	2t	2.5t	3t	3.5t	
ZM200	2000	2000	2500	3000	3500	1500	1570	1620	500	340	443	3240	3580	4190	4510	6/12
ZM250	2500	2000	2500	3000	3500	1750	1820	1870	750	590	693	3290	3630	4240	4560	6/12
ZM300	3000	2000	2500	3000	3500	2000	2070	2120	1000	840	943	3330	3680	4290	4620	6/12
ZM330	3300	2000	2500	3000	3500	2150	2220	2270	1150	990	1093	3360	3710	4320	4650	6/12
ZM350	3500	2000	2500	3000	3500	2250	2320	2370	1250	1090	1193	3380	3730	4340	4670	6/12
ZM370	3700	2000	2500	3000	3500	2350	2420	2470	1350	1190	1293	3400	3750	4360	4690	6/12
ZM400	4000	2000	2350	2850	3200	2550	2620	2670	1550	1390	1493	3480	3820	4440	4770	6/12
ZM425	4250	1900	2200	2750	3100	2675	2745	2795	1675	1515	1618	3500	3850	4470	4800	6/6
ZM450	4500	*1900	*2400	*3000	*3050	2800	2870	2920	1800	1640	1743	3530	3870	4490	4830	6/12
ZM500	5000	1500	1700	2400	2450	3050	3120	3170	2050	1890	1993	3580	3920	4550	4890	6/6
ZM550	5500	*1600	*2000	*2400	*2500	3350	3420	3470	2350	2190	2293	3680	4020	4650		

**Reliable special designed instrument**



Reliable special meter display the whole truck's working condition, fault detect and other important information completely which make the operator master the whole truck condition directly and conveniently.

**Standard configuration      Optional      Available attachment**

Standard configuration	Optional	Available attachment
Fork	Filter core of transmission oil	Carpet boom
Water temperature gauge	Backward buzzer	Lifting hook
Traction pin	Transmission oil gauge	Side shifter
Backrest	Filter of hydraulic oil circuit	Paper roll clamp
Overhead guard	Safety switch for neutral gear	Rotating fork
Electric horn	Rain proof for overhead guard	Cargo boom
Reversing light	Air intaking device	Lengthen fork
Hour meter	Durable tyre with pattern	Multi-function drum clamp
Fuel gauge	Cable type parking brake	Rotating clamp
Charging indicator	Hydraulic oil gauge	Widen fork carrier
Operator's tool kit	Preheating indicator	Lengthen fork extension
Oil pressure alarm	Full hydraulic powered steering	Load stabilizer
Steering indicator	Levers for lifting and tilting	Push-pull
Wide view mast	Cyclone air cleaner	Tilting fork/bucket
Standard seat	Adjustable tilting steering column	Wide view two stage free lift mast
Front lamp	Engine automatic preheating system	Wide view three stage free lift mast
Rear combined light	Electric flameout	
Shaped pedal pad	Engine fault indicator	
Control valve (two throws)		

**2-3.5 t  
K2 series Internal Combustion  
Counterbalanced  
Forklift Truck**



[www.heliforklift.net](http://www.heliforklift.net)



**Reliability improved**

- Casted steering axle
- Improved mast strength and rigidity
- Reduced front overhang improves truck stability.
- The drive axle is improved.
- The mast and frame are improved.
- The steering system is improved and the electrical system is improved on the hydraulic pipeline and the electrical system.
- The truck is improved.
- The loading capacity of mast and frame is improved and the safety performance is improved.

**Better performance in energy saving and consumption reducing**

- The oil consumption is reduced.
- The pressure loss is reduced.
- LED lights are standard.

**The operation efficiency improved**

- The lifting speed improved.
- The steering radius is small.
- The lights switch is integrated on steering knob and it is convenient for operation.

**Operation comfort improved**

- The diameter of steering wheel is reduced to reduce arm fatigue.
- The space for pedal is enlarged.
- Seat is design with man-machine engineering.
- Backlight design of meter is easy to read and engine fault code is shown on the meter.
- The horizontal view of mast is improved.
- Lowering buffering is configured.
- Head space is enlarged.

**The performance of easy maintenance is further improved**

- The drive axle is improve to reduced maintenance frequency.
- Fault code is displayed on the meter to improve truck maintenance efficiency.
- Large opening angle of engine hood makes maintenance easier.
- The contact space between engine and transmission box is enlarged and it is easy for engine oil filter maintenance.
- Integrated electric box is easy for maintenance.
- The 24° conical sealing is adopted on hydraulic pipeline and it is easy for assembly and disassembly.



**HELI smart fleet management system (optional)**

Vehicle positioning	Statistical form
Remote diagnosis	Vehicle management
Remote monitoring	Identification recognition (optional)
Maintenance reminder	Weight management (optional)
Battery management	Collision management (optional)



**ANHUI HELI CO., LTD.**  
Add / No.668, FangXing Road, Hefei, China  
Fax / +86-551-63639966

**TRADE AMERICA S.R.L.**  
+595 21 781232  
San José 925 - Limpio - Paraguay  
[www.tradeamerica.com.py](http://www.tradeamerica.com.py)